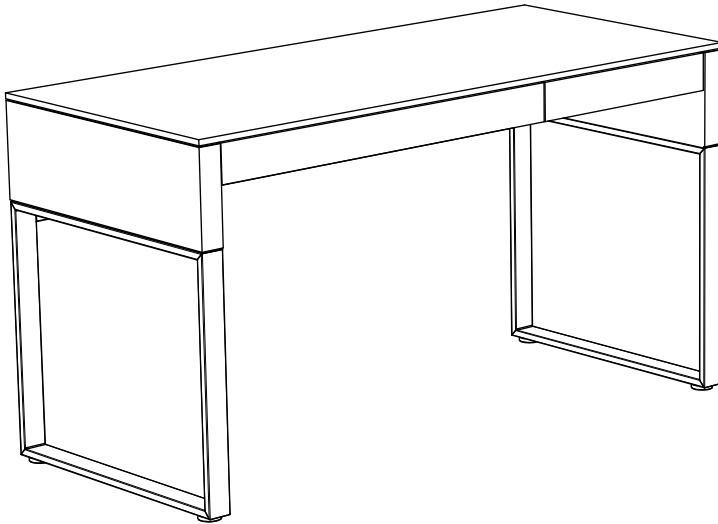
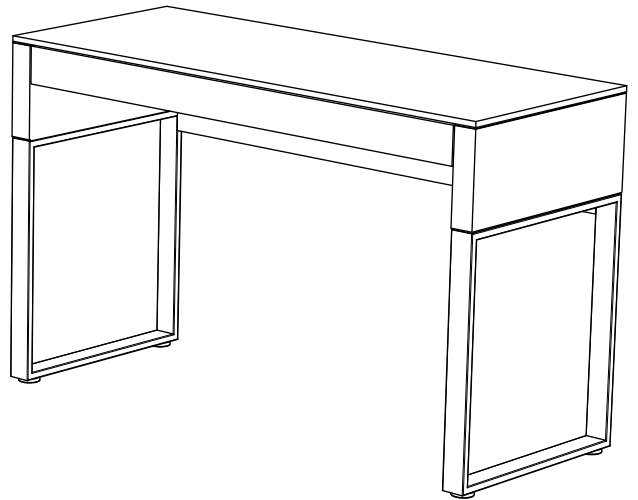


Placement and Maintenance

CASCADIA are designed for indoor use on level floors. Clean glass with glass cleaner, and shelf with a moist cloth.



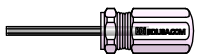
CASCADIA 6201 Desk



CASCADIA 6202 Console

Component List

CASCADIA are engineered for easy assembly. Carefully follow this procedure to prevent any damage. Unpack and identify the components. The assembly workspace should be a non-marring surface such as clean carpet. For missing hardware pieces, please contact BDI Customer Service at customerservice@bdiusa.com. For all other concerns, please contact your BDI Retailer.



A - 4mm Hex Driver x 1



B - 5/16-18 x 50mm Screws
4mm Socket Drive
6201 x 8
6202 x 6



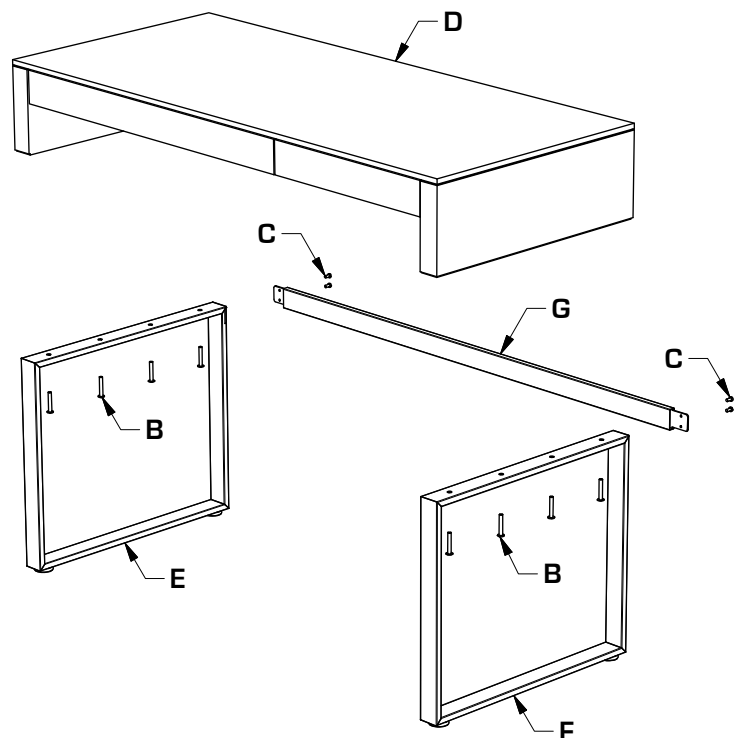
C - 1/4-20 x 12mm Screws
4mm Socket Drive
x 4

D - Table Assembly x 1

E - Left Leg x 1

F - Right Leg x 1

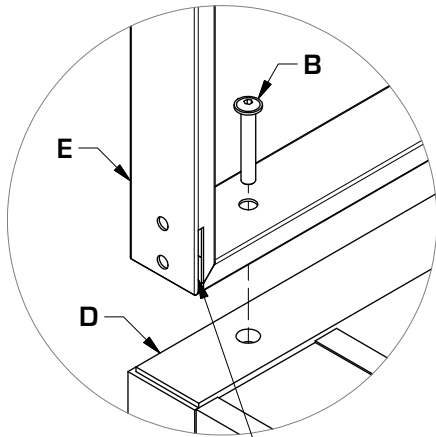
G - Horizontal Bar x 1



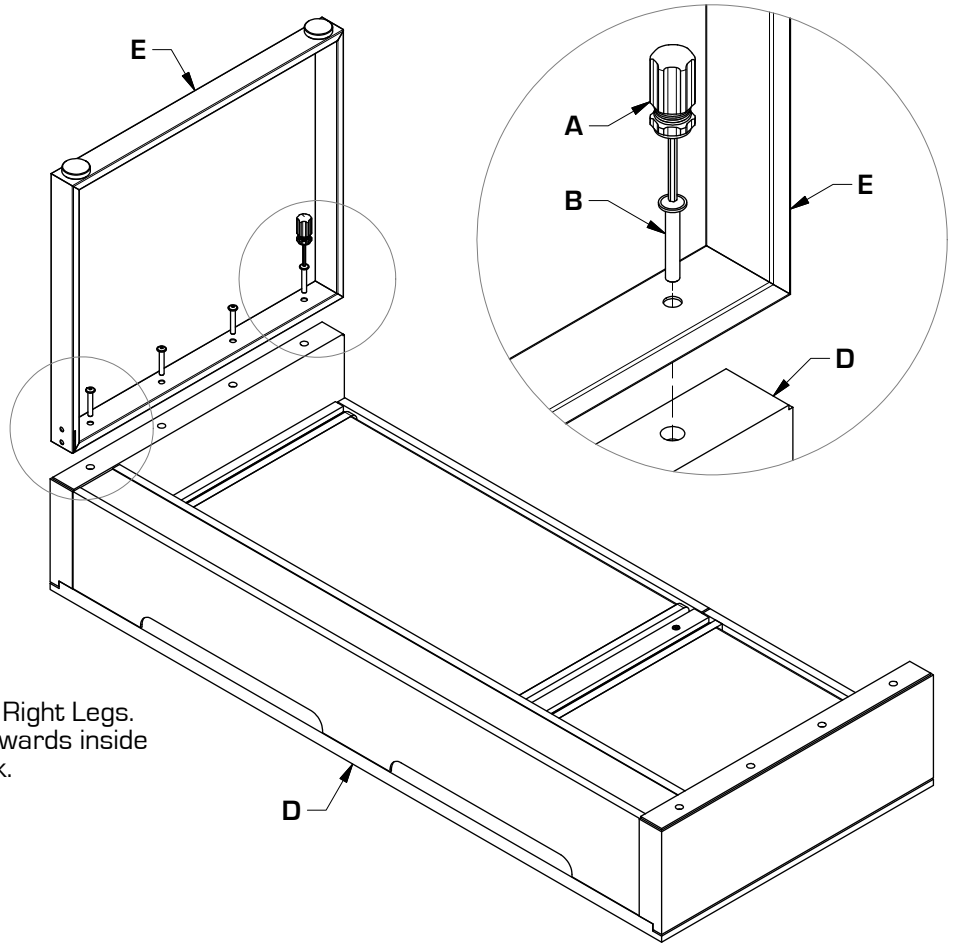
Step 1

Attach 1st Leg to Table Assembly

Identify Left and Right Legs. Notch on Leg towards inside and back of desk. Attach Leg using **Screws (B)** and tighten with **Hex Driver (A)**.



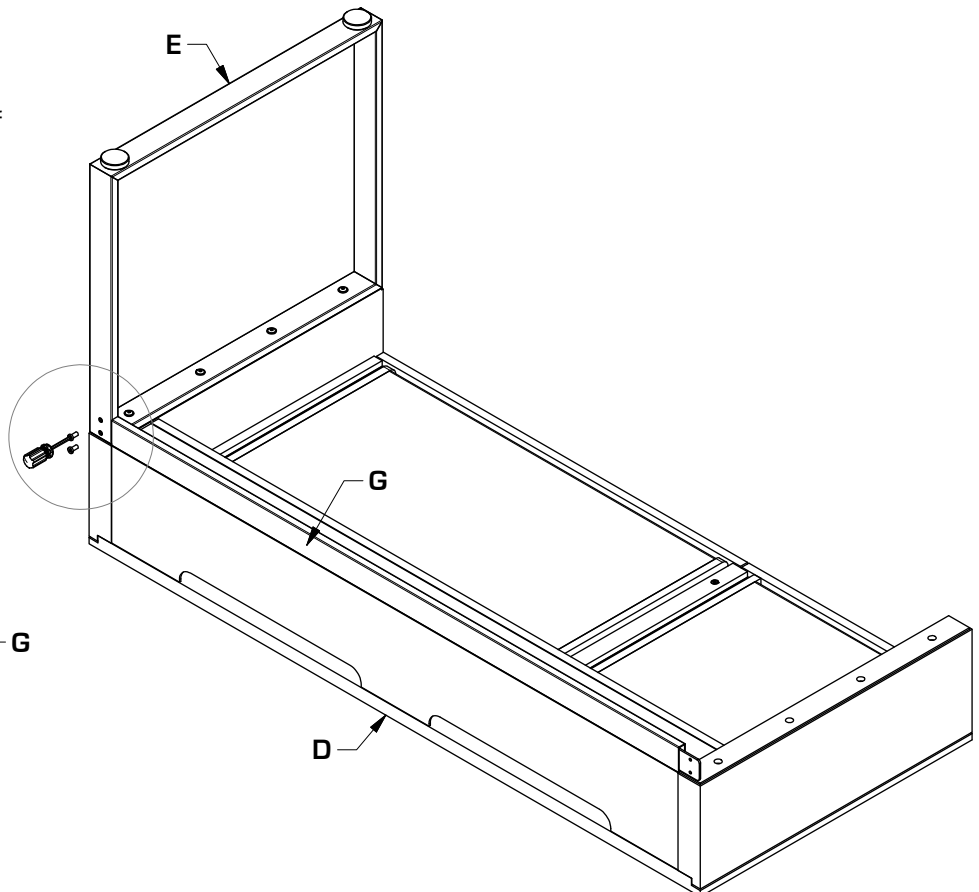
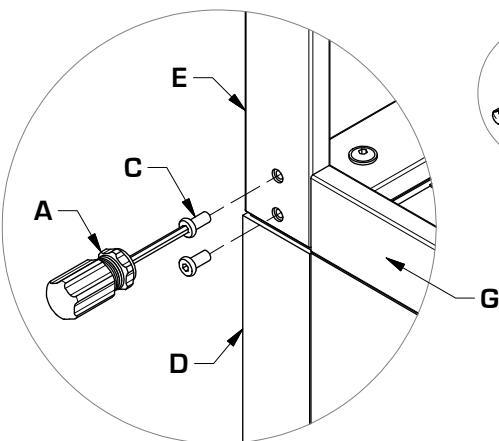
Identify Left and Right Legs. Notch on Leg towards inside and back of desk.



Step 2

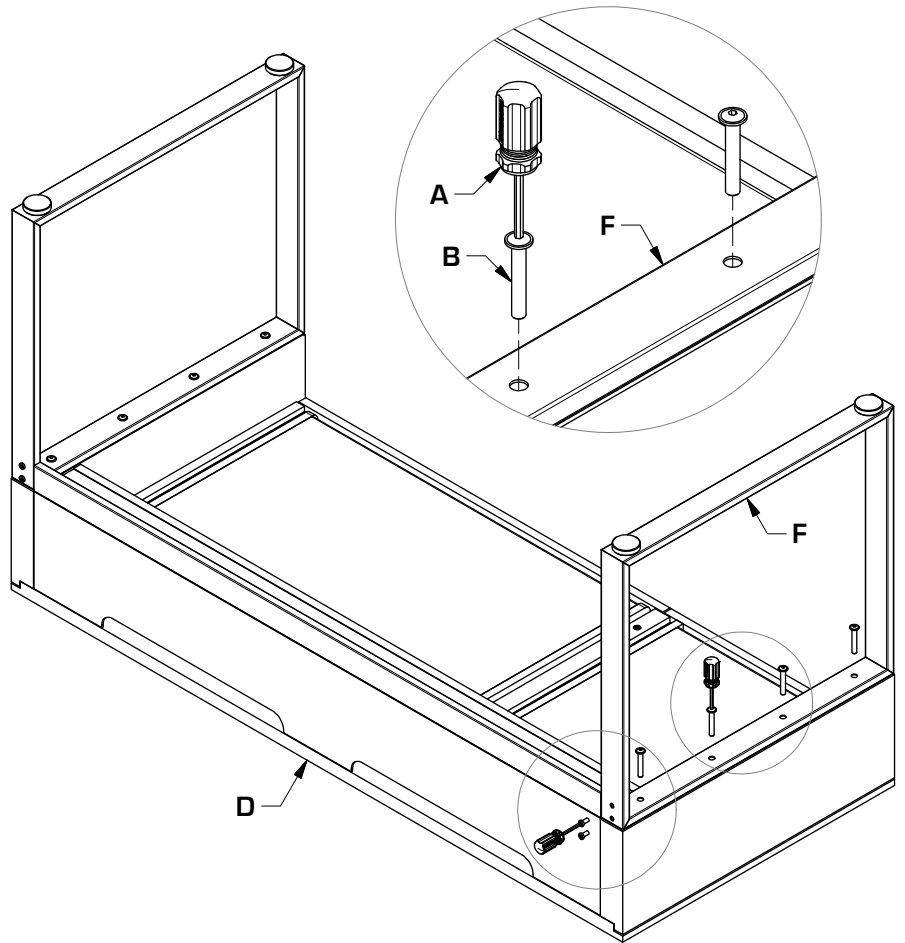
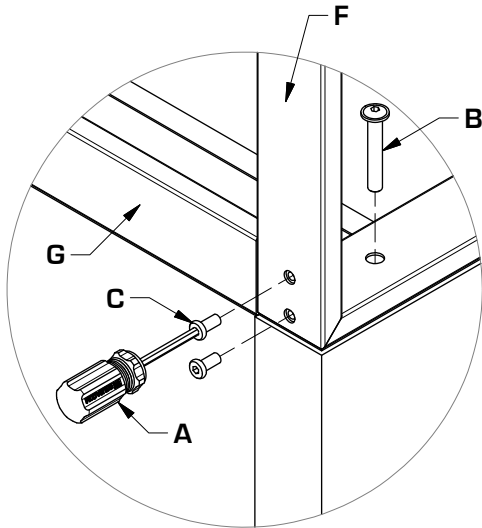
Attach Horizontal Bar

Insert tab on **Horizontal Bar (G)** into notch on inside of Leg. Attach 1 side of **Horizontal Bar (G)** using **Screws (C)** tighten with **Hex Driver (A)**.



Step 3

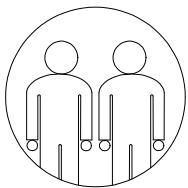
Attach 2nd Leg and Horizontal Bar
Insert tab on **Horizontal Bar (G)** into notch on 2nd Leg. Attach Leg to **Table Assembly (D)** using **Screws (B)** and tighten with **Hex Driver (A)**. Attach **Horizontal Bar (G)** to 2nd Leg using **Screws (C)** and tighten with **Hex Driver (A)**.



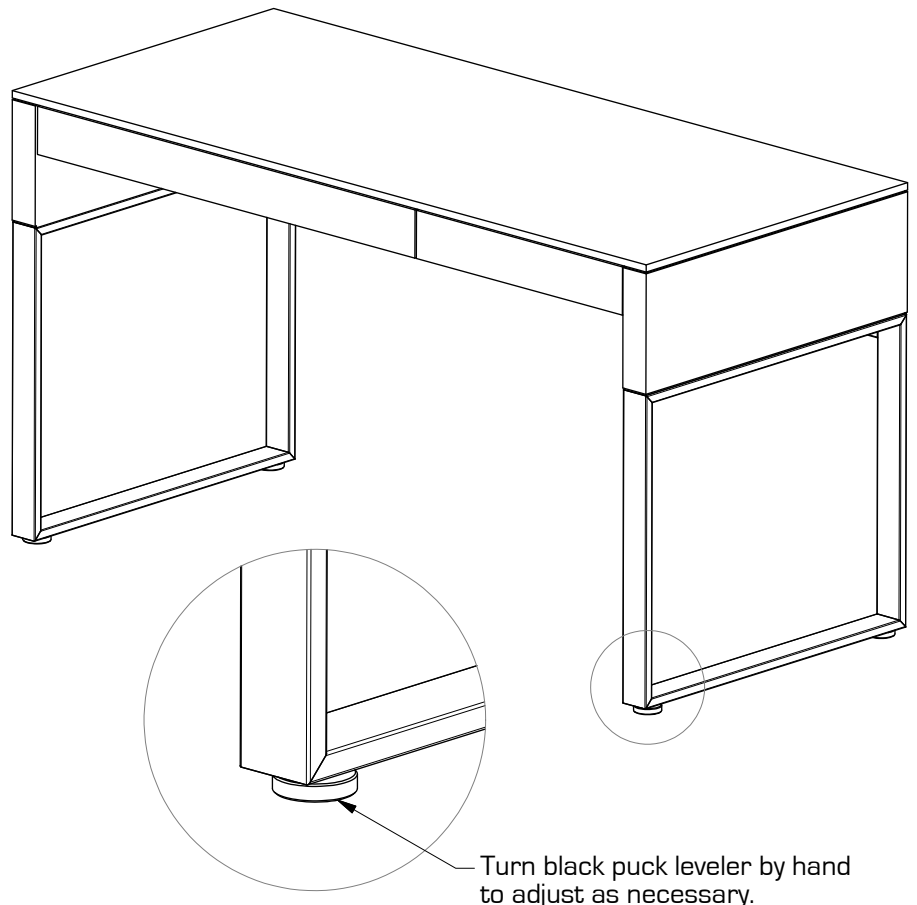
Step 4

Adjust Levelers as necessary

Turn Desk or Console over onto Legs. Position Desk or Console as desired then turn black puck levelers by hand to adjust as necessary.



Recommended
2-person Step



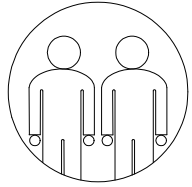
Turn black puck leveler by hand
to adjust as necessary.

Step 5 (6201 optional)

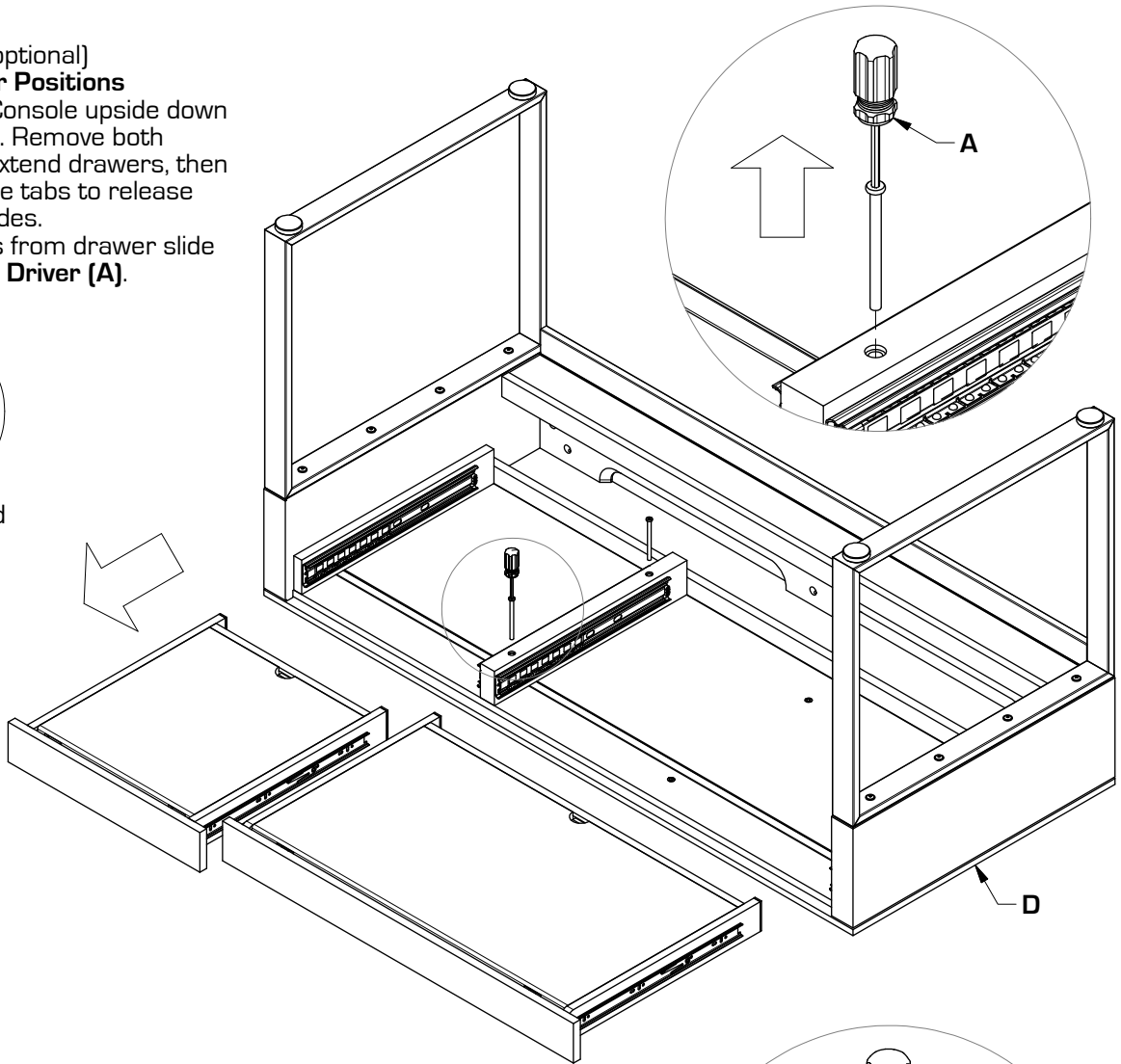
Change Drawer Positions

Place Desk or Console upside down on clean carpet. Remove both drawers. Fully extend drawers, then press on release tabs to release drawer from slides.

Remove screws from drawer slide block using **Hex Driver (A)**.



Recommended
2-person Step



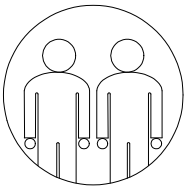
Step 6 (6201 optional)

Change Drawer Positions

Move drawer slide block over to other position and align screws with inserts.

Attach drawer slide block to **Table Assembly (D)** and tighten screws using **Hex Driver (A)**.

Reinstall drawers and turn Table or Console upright onto Legs.



Recommended
2-person Step

