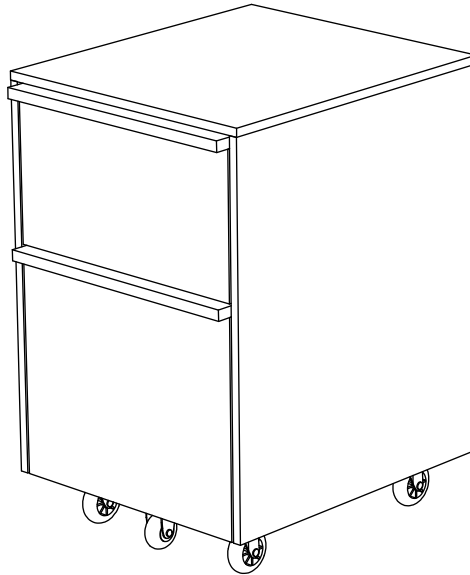


Placement and Maintenance

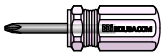
CASCADIA are designed for indoor use on level floors. Clean glass with glass cleaner, and shelf with a moist cloth.



CASCADIA 6207 Mobile File

Component List

CASCADIA are engineered for easy assembly. Carefully follow this procedure to prevent any damage. Unpack and identify the components. The assembly workspace should be a non-marring surface such as clean carpet. For missing hardware pieces, please contact BDI Customer Service at customerservice@bdiusa.com. For all other concerns, please contact your BDI Retailer.



A - Phillips Screwdriver x 1

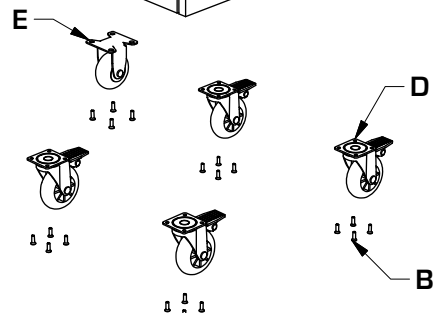
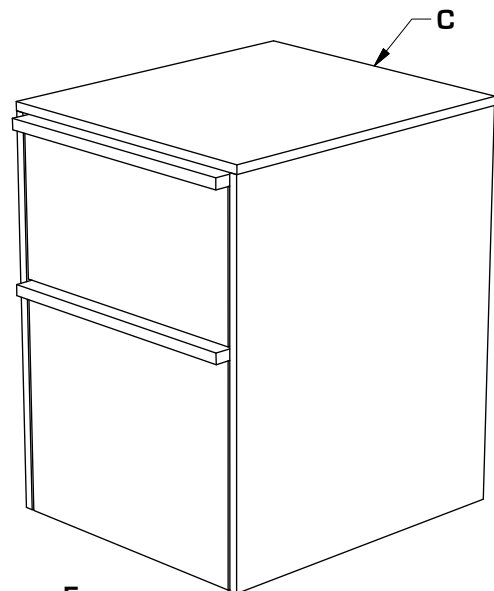


B - M4 x 12mm Screws
Phillips Drive
x 20

C - Cabinet Assembly x 1

D - Swivel Casters x 4

E - Fixed Caster x 1



Step 1

Attach Casters

Place Cabinet upside down on clean carpet.

Attach **Swivel Casters (D)** to **Cabinet (C)** bottom at corners, use **Screws (B)** and tighten with **Phillips Screwdriver (A)**.

Attach **Fixed Caster (E)** to raised block on bottom drawer. Use **Screws (B)** and tighten with **Phillips Screwdriver (A)**.

