




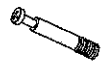


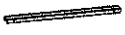
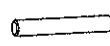








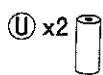
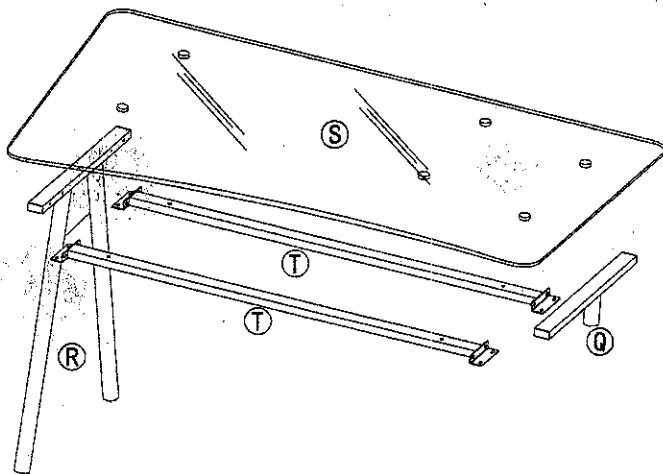
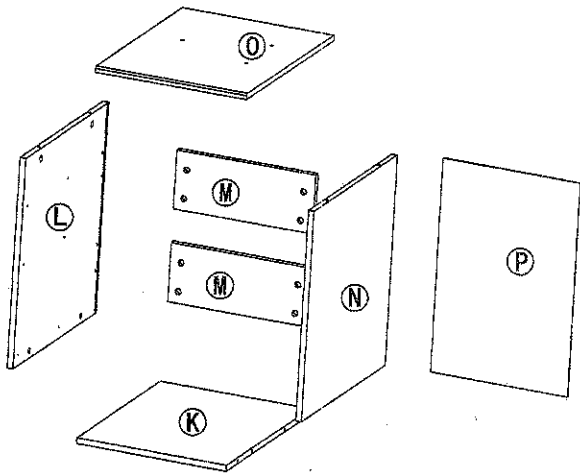
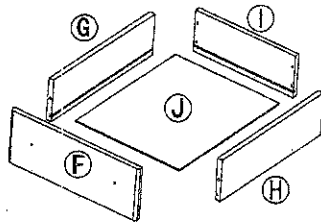
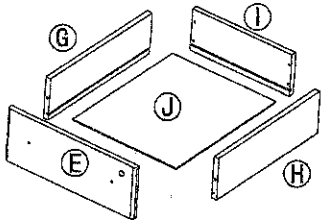
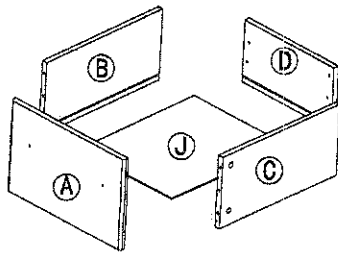
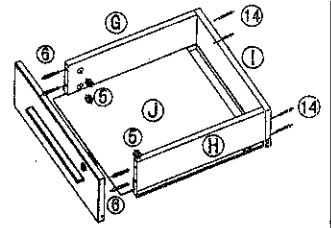
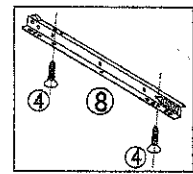
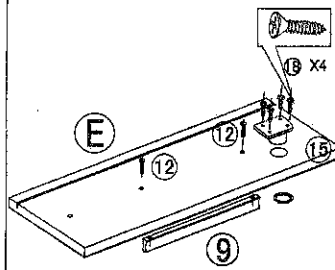


IMPORTANT: DON'T FASTEN BOLTS UNTIL ALL PARTS IN POSITION.

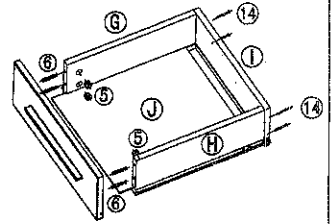
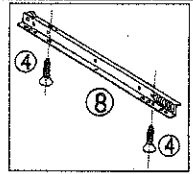
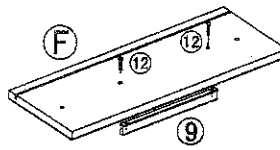
<p>①</p>  <p>M6x30X3</p>	<p>②</p>  <p>M6x25X4</p>	<p>③</p>  <p>M6x12X16</p>
<p>④</p>  <p>M4x14X27</p>	<p>⑤</p>  <p>X28</p>	<p>⑥</p>  <p>X28</p>
<p>⑦</p>  <p>M8X6</p>	<p>⑧</p>  <p>Left Right</p> <p>X3</p>	<p>⑨</p>  <p>X3</p>
<p>⑩</p>  <p>X10</p>	<p>⑪</p>  <p>X3</p>	<p>⑫</p>  <p>M4x18X6</p>
<p>⑬</p>  <p>M6x20X6</p>	<p>⑭</p>  <p>4x35X12</p>	<p>⑮</p>  <p>X1</p>
<p>⑯</p>  <p>X1</p>	<p>⑰</p>  <p>X2</p>	<p>⑱</p>  <p>M4x16X4</p>



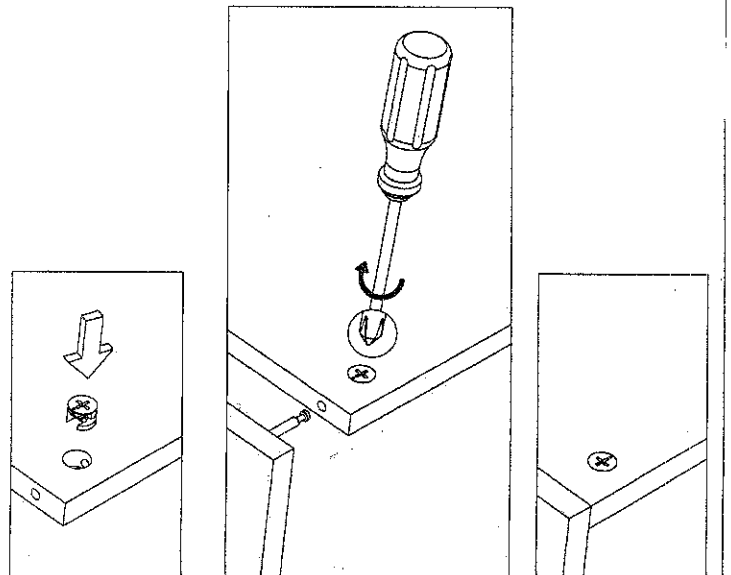
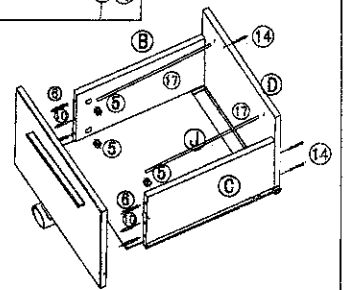
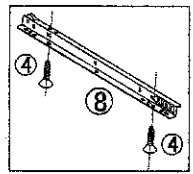
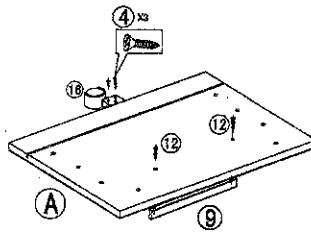
Drawer (1)



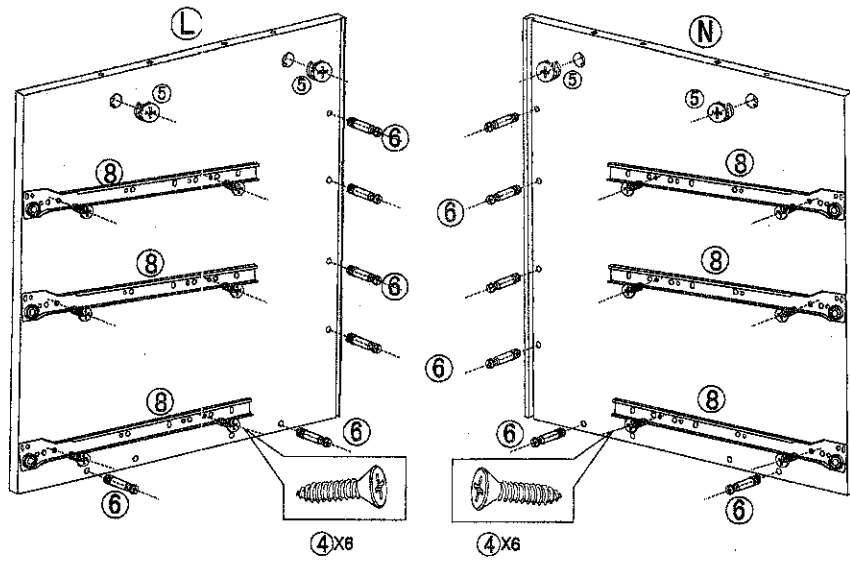
Drawer (2)



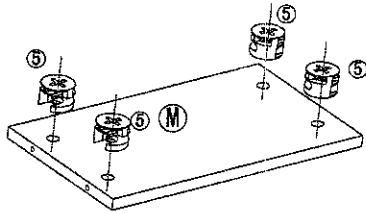
Drawer (3)



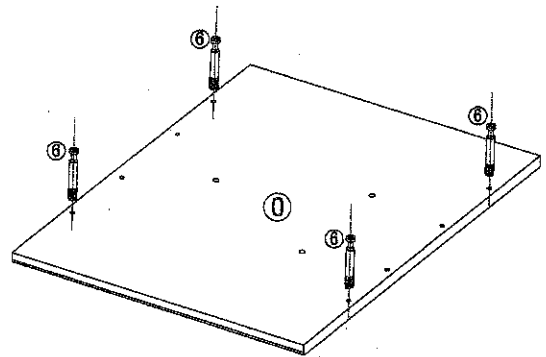
1



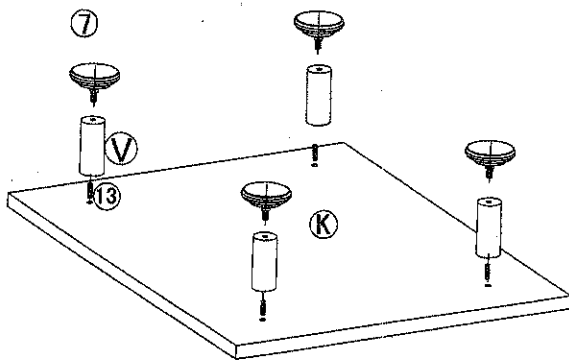
2 X2



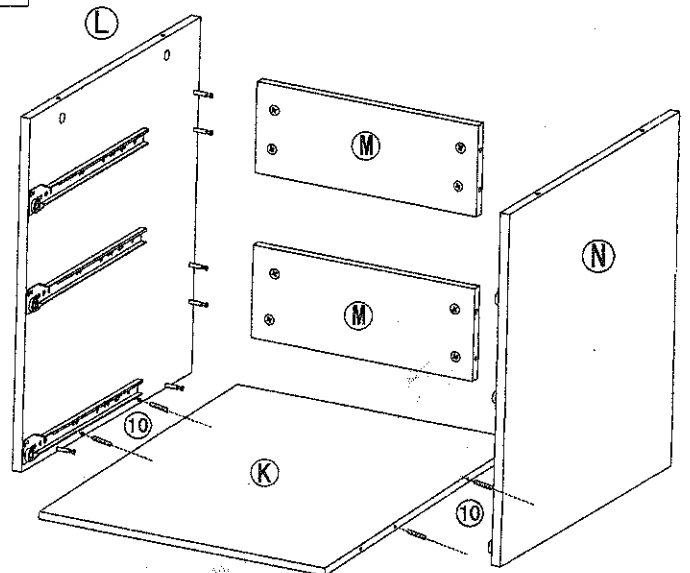
3



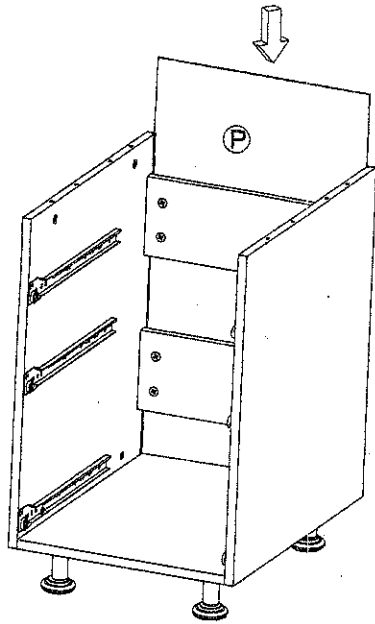
4



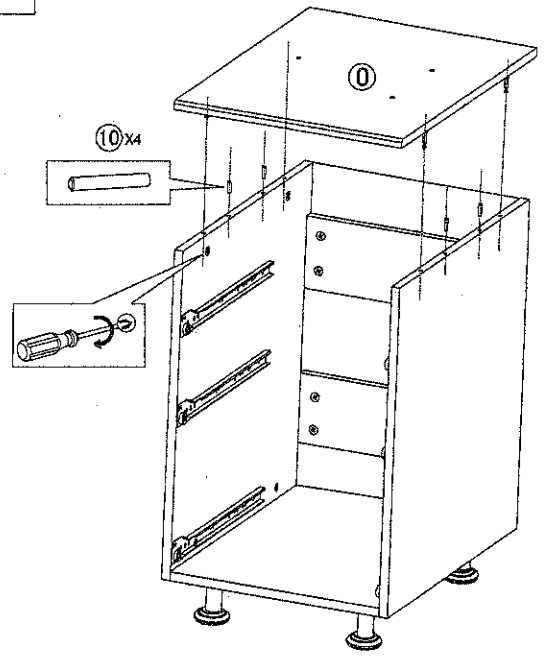
5



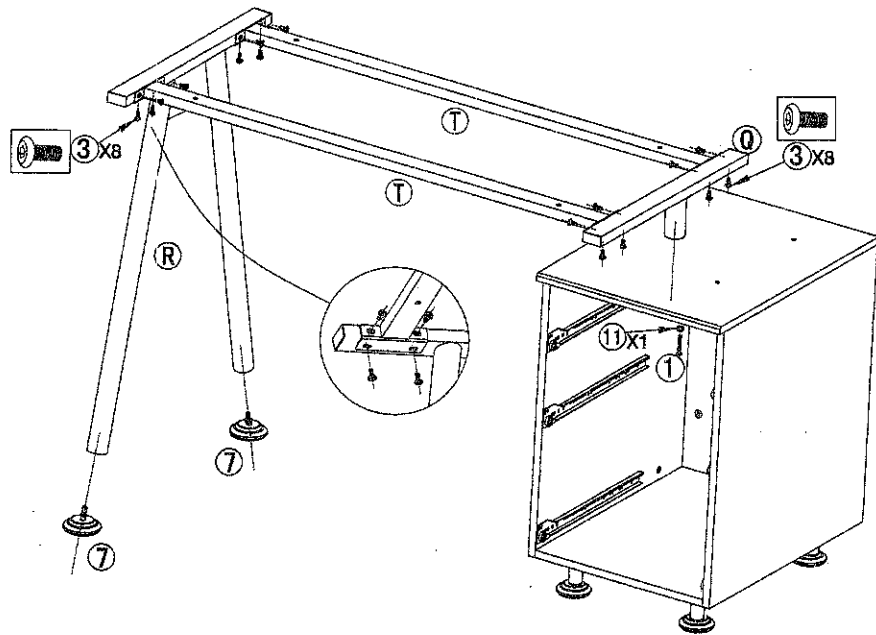
6



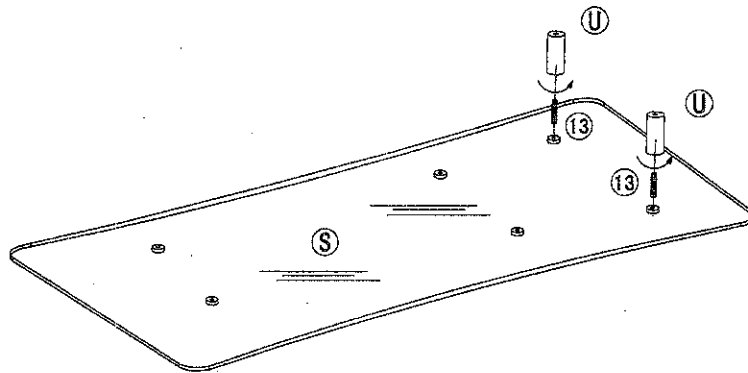
7



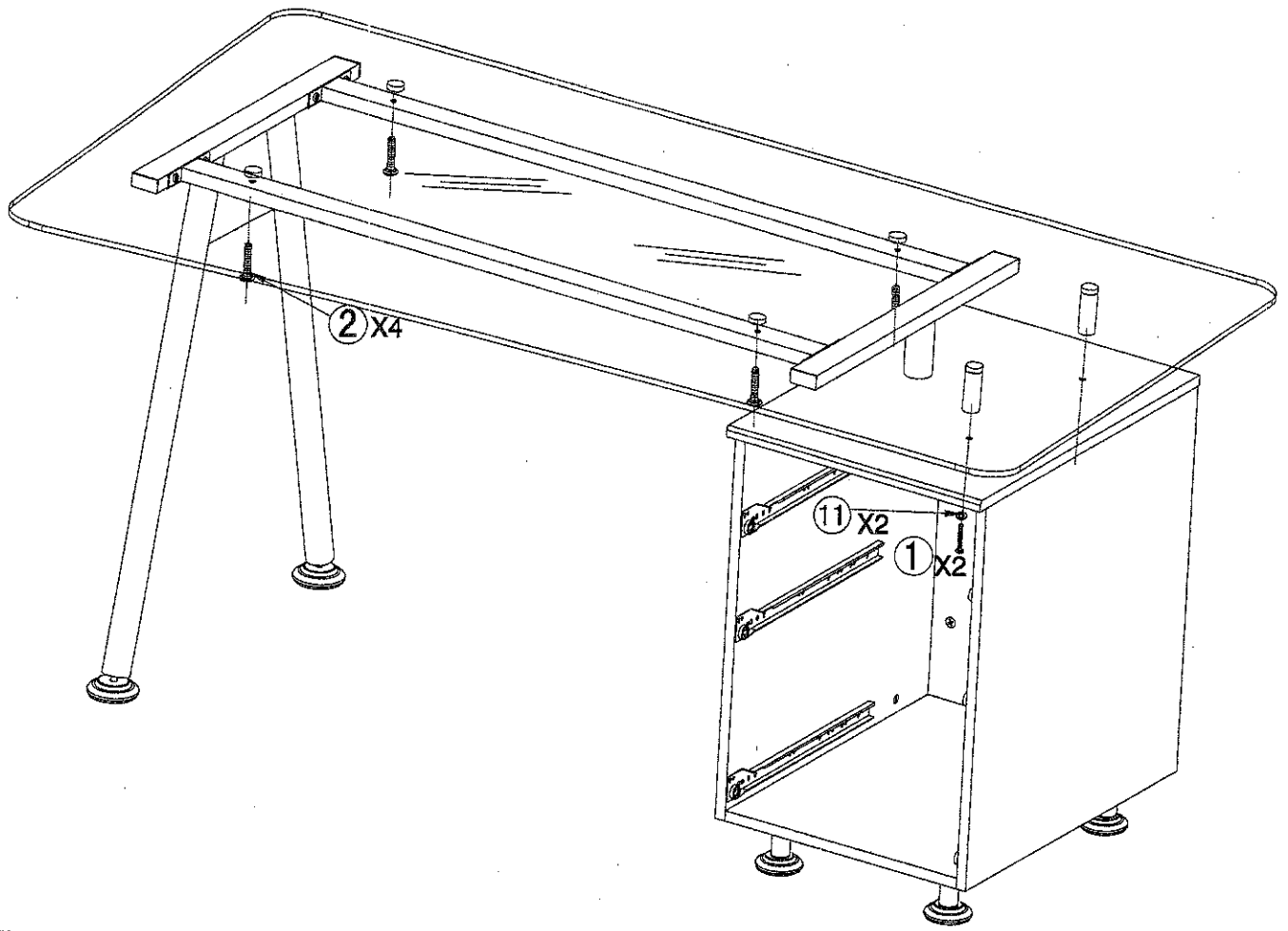
8



9



10



11

