

MARGO™ 5211

Console



bdiusa.com

customerservice@bdiusa.com

Product Registration

Registering your new BDI product allows us to send you important product updates, service information and helpful hints related to your BDI products. Register today, and you will be entered to win free a BINK table from BDI: www.bdiusa.com/register

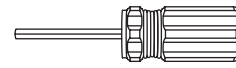
Placement and Maintenance

Your Margo Console is designed for indoor use on level floors. Clean wood veneer and steel parts with a moist cloth.

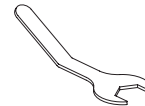
Margo is engineered for easy assembly. Carefully follow this procedure to prevent any damage. Do not use power tools for assembly of this product.

Step 1

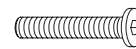
This unit ships in 3 cartons (metal frames, cabinet & shelf, and sliding door front) Unpack all cartons and associated hardware bags. Identify the parts listed below. The assembly workspace should be a non-marring surface such as carpet. For missing hardware pieces, contact BDI Customer Service at: customerservice@bdiusa.com. For all other concerns, please contact your BDI retailer.



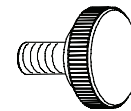
T1 Hex Driver x 1



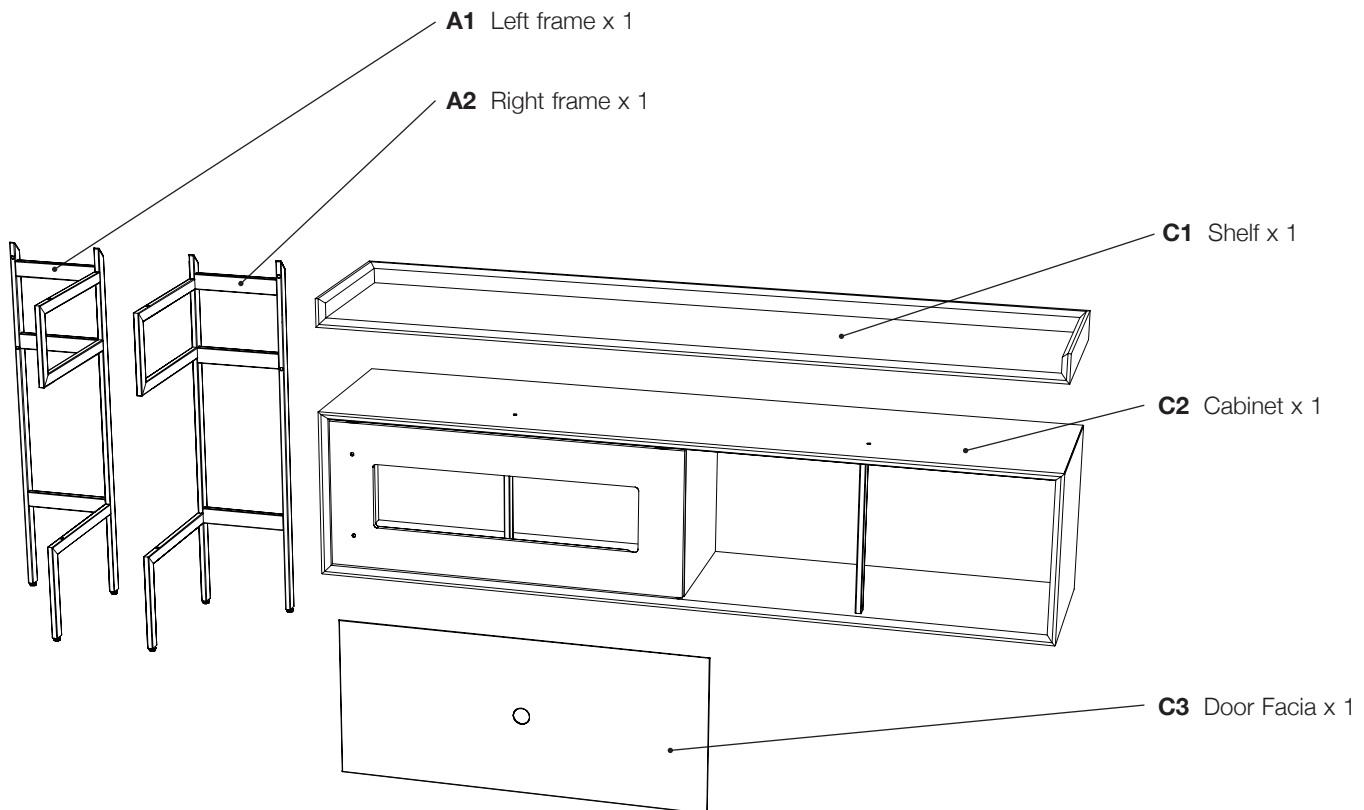
T2 Leveler wrench x 1



H1 M6 x 38 mm
Pan Head Screw x 10



H3 Thumb Screw x 2

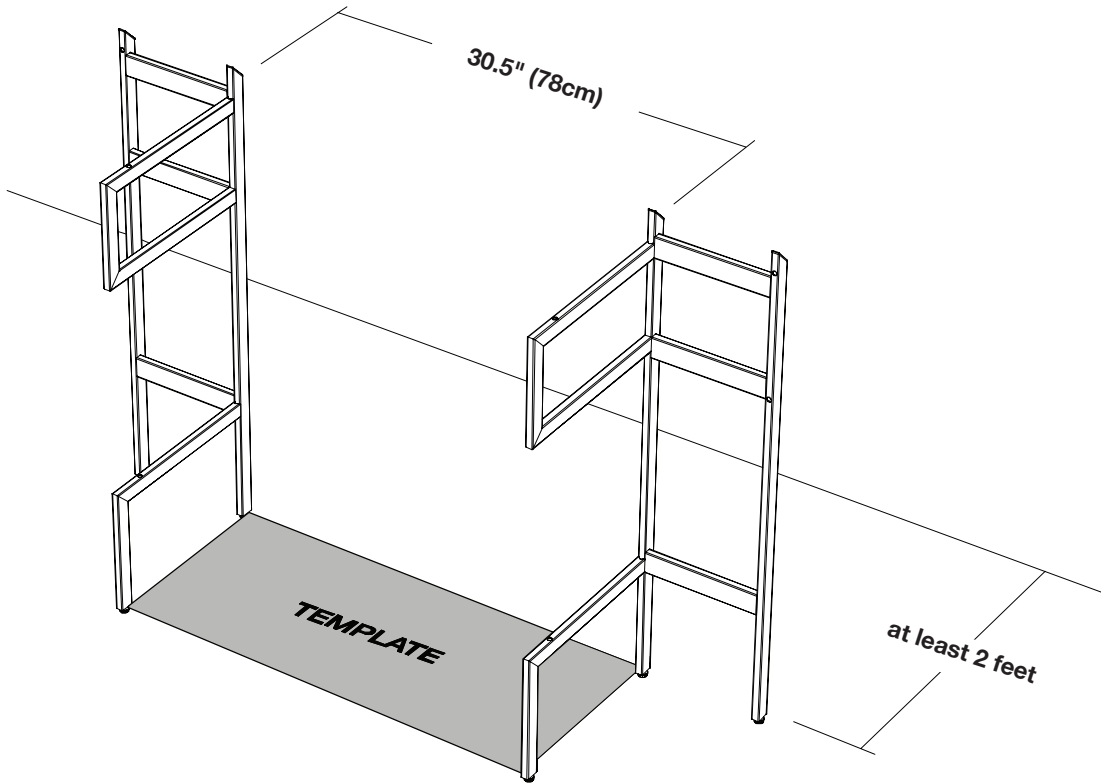


Designed by Jeff Bare.

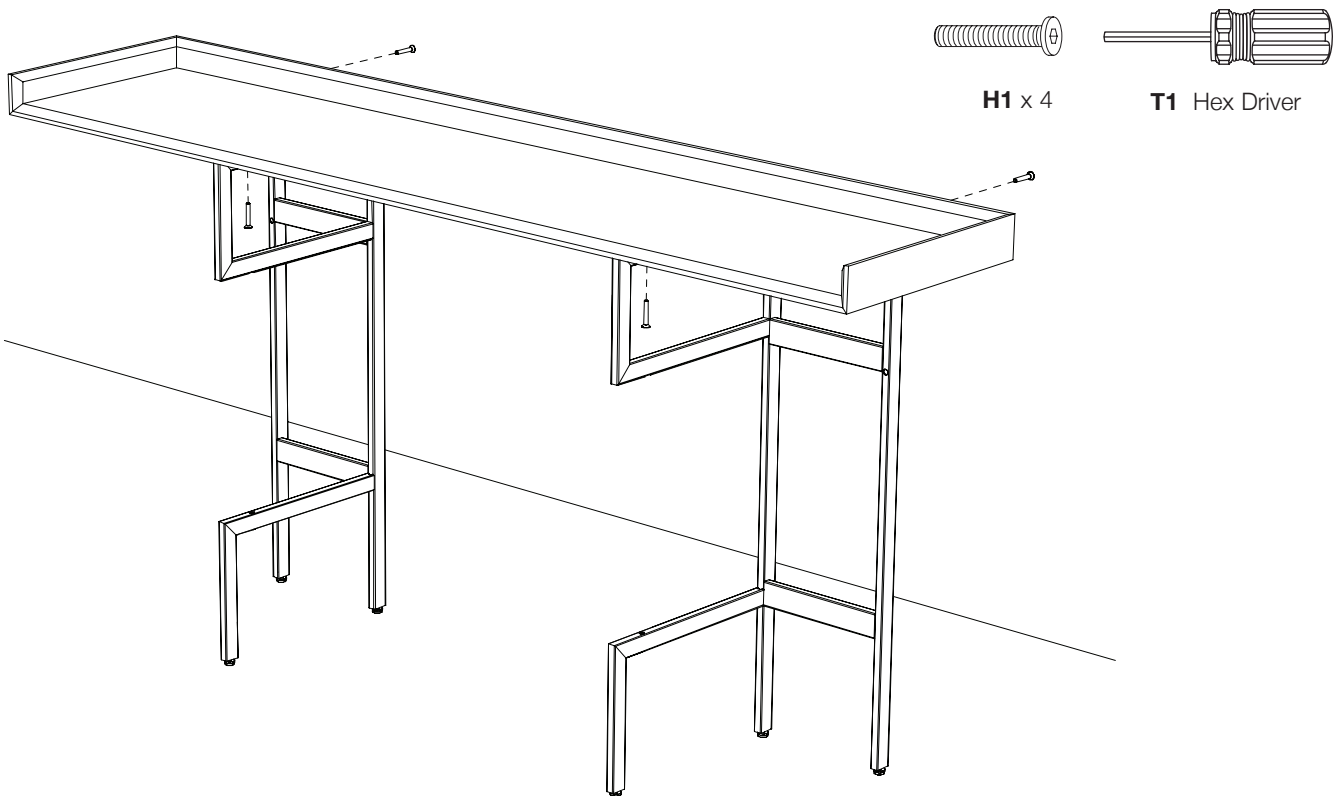
These distinctive product configurations are protected by US and international patents, trade dress, and/or copyright laws. Margo & BDI are trademarks of Becker Designed, Inc. All rights reserved. ©2019, BDI

Made in China. 06.12.2019 V3

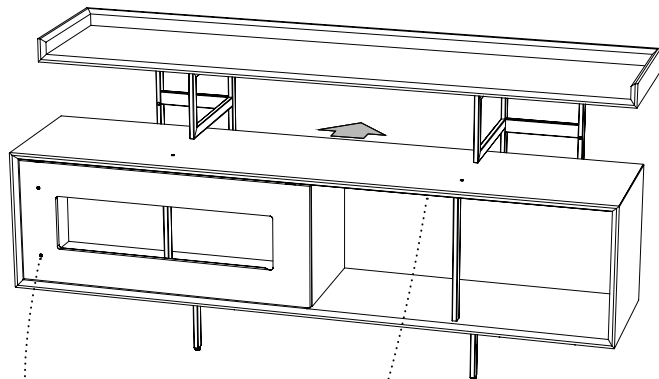
Step 2 - Making sure the levelers are facing down, place **the left and right frames at least 2'** off the wall and **30.5" (78cm)** apart in the orientation shown below. Use the provided **template** to accurately space the frames.



Step 3 - Carefully place **shelf C1** on top of the frames. Attach **shelf C1** to each frame with **pan-head screws H1** and partially tighten with **hex driver T1**. **DO NOT** tighten the screws completely until the cabinet is also positioned and installed.

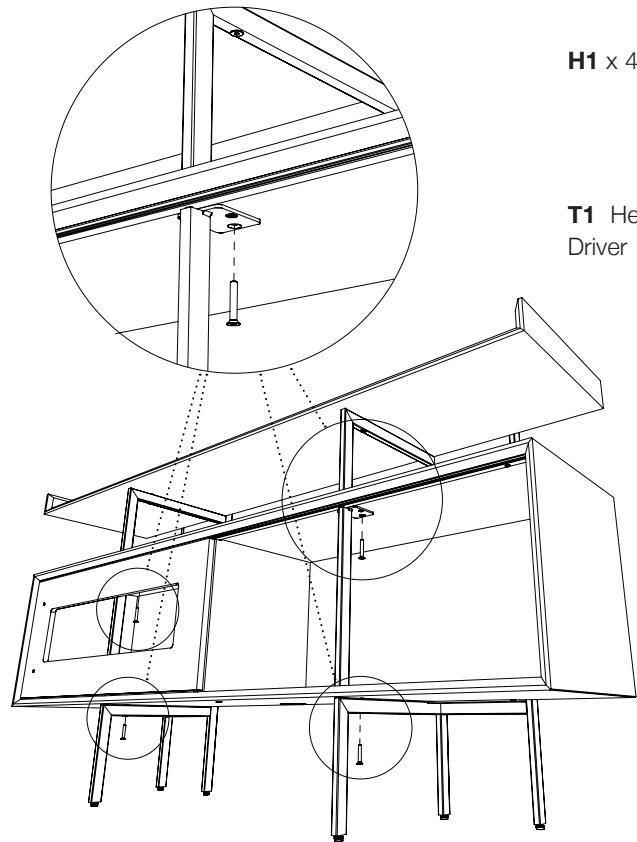


Step 4 - Make sure the cabinet is oriented right side up with door track on top. With help from another person, carefully slide the cabinet into the opening in the frame and center it so that the 2 holes on top of the cabinet are directly under the frame. Slide the cabinet all the way back and attach to the frame as shown using **pan-head screws H1** and partially tighten with **hex driver T1**. **DO NOT tighten screws completely yet.**



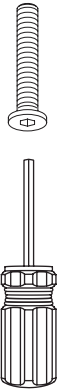
Holes on left

Door track on top

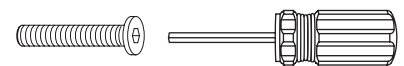
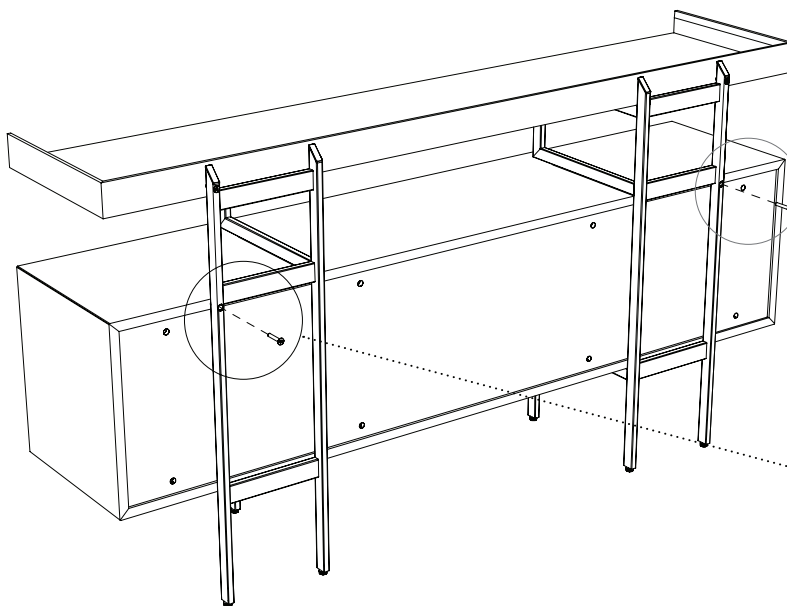


H1 x 4

T1 Hex Driver



Step 5 -Secure the back of the cabinet to the 2 frames using **pan-head screws H1** and **hex driver T1**. **Tighten ALL SCREWS** for the shelf and cabinet at this time.

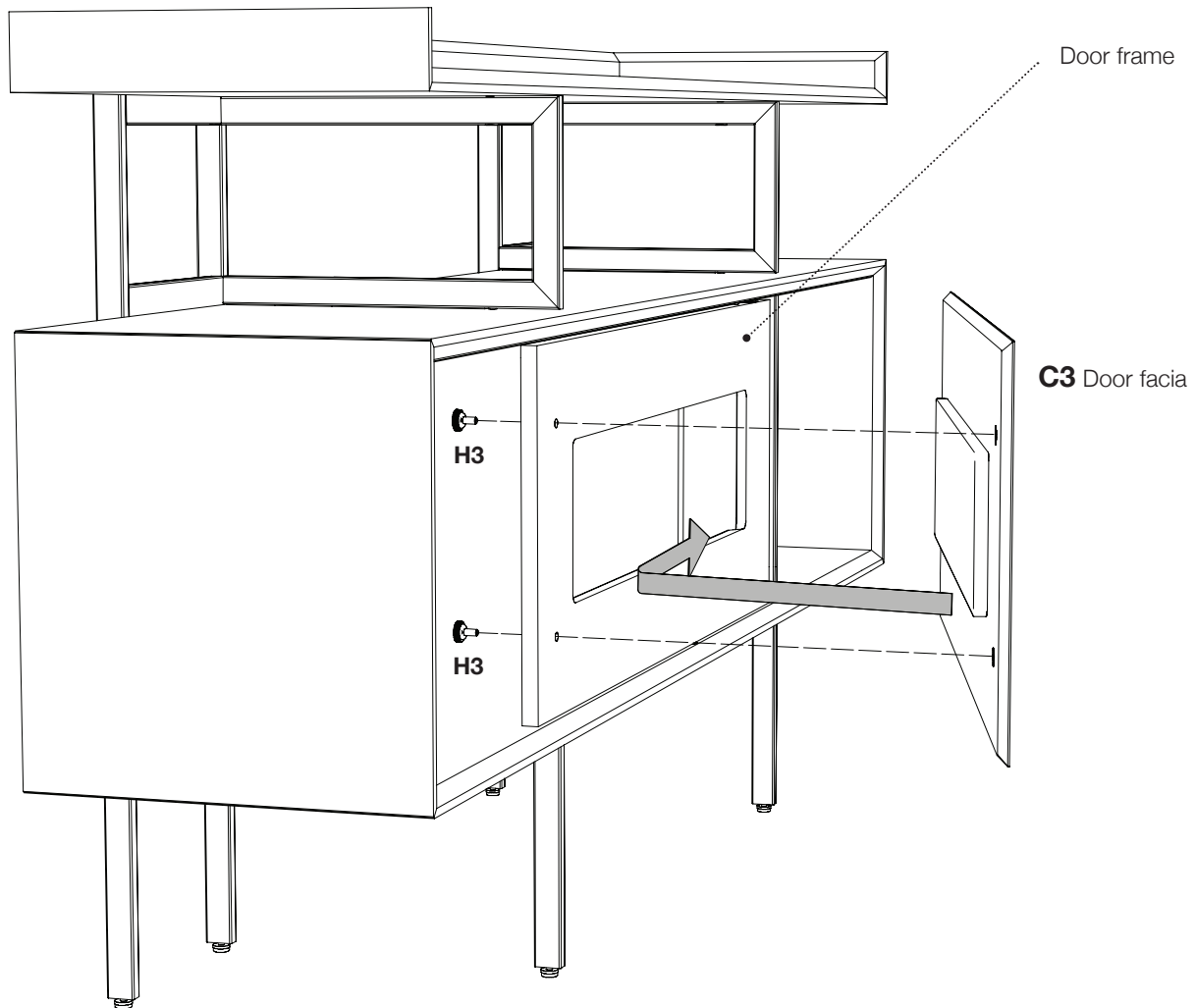
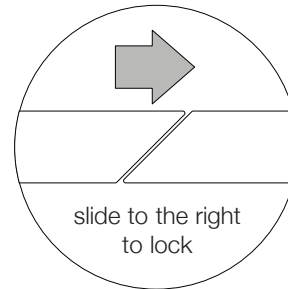


H1 x 2

T1 Hex driver

Step 6 - Slide the **door frame** towards the middle. Orient the **door fascia C3** as shown with the **threaded holes behind the left side**. Position the **door fascia C3** into the door frame and shift it to the right while holding the left edge of the door frame to prevent it from sliding. Secure the left side of the door fascia to the door frame with **2 thumb screws H3** going into the holes on the back of the **door frame** and into the threaded holes on the back of the **door fascia C3**.

Check to make sure the door fascia is **level with the cabinet** and the gaps along the top and bottom edges of the door are even with **no rubbing between the door and cabinet**. If not, proceed to **step 8**.



Step 7 - Level the console

Levelers are integrated into each leg assembly and are accessed at the bottom of each leg. If your floor is uneven, you may extend one or more levelers to attain a level, stable position.

Step 8 - Adjust sliding door if needed

If your sliding door is not hanging evenly, or rubs at the top or bottom, it can be adjusted up or down by turning one (or both) **adjustment wheels** inside the cup (located behind each upper corner of the door). To move the door frame **up** turn the wheel towards the **left**. To move the door frame **down**, turn the wheel towards the **right**. Lifting the door frame up with your other hand allows the adjustment wheel to turn more freely.

