



A (4 pcs)



B (4 pcs)



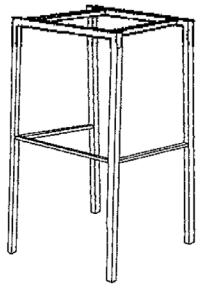
C (4 pcs)



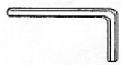
Z (4 pcs)



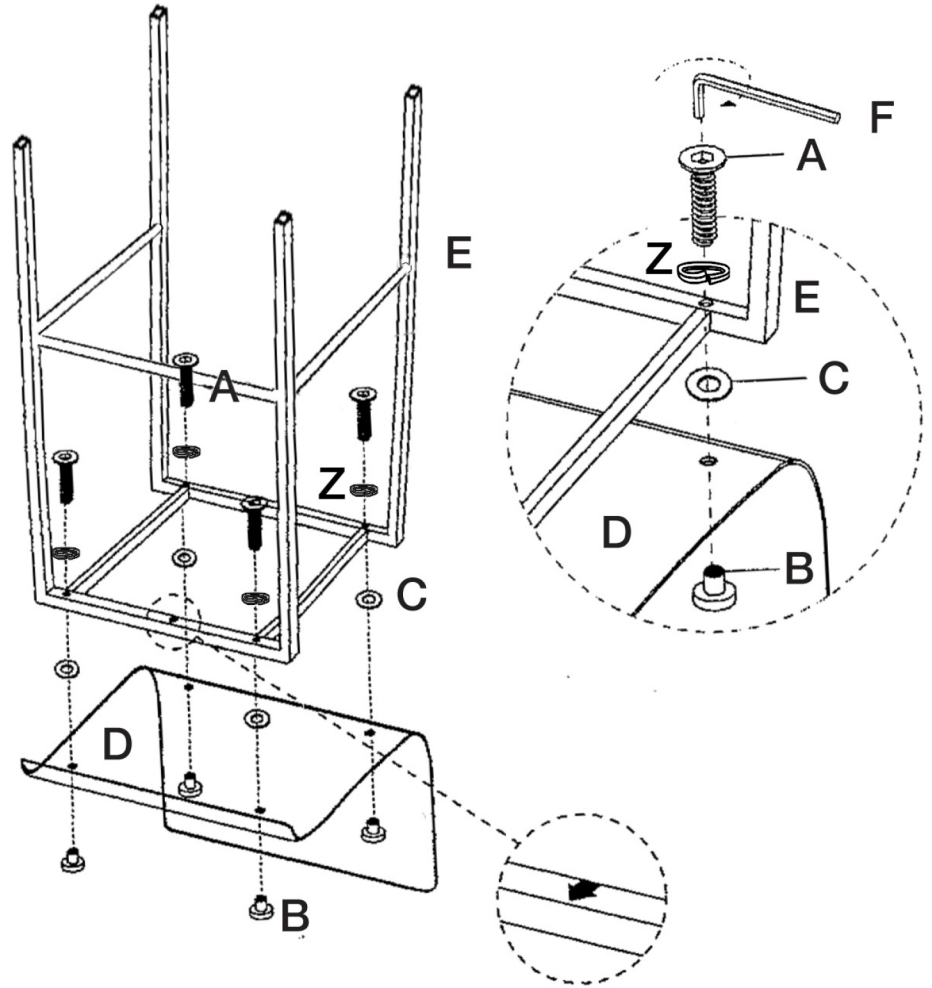
D (1 pc)



E (1 pc)



F (1 pc)



During assembly, hand tighten screws only. When the screws are in place, tighten completely.