

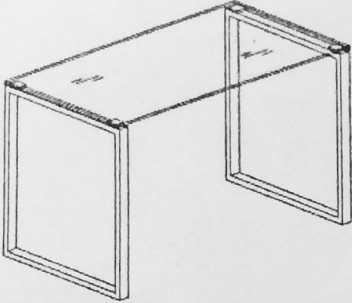
THANK YOU FOR PURCHASING THIS QUALITY PRODUCT.

BE SURE TO CHECK ALL PACKING MATERIAL CAREFULLY FOR SMALL PARTS THAT MAY HAVE COME LOOSE INSIDE THE CARTON DURING TRANSIT.

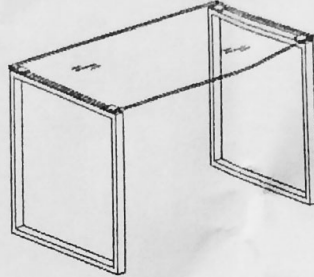


Two people to lift

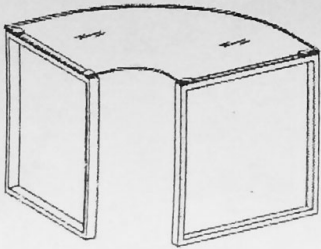
6931-CPD-LRG



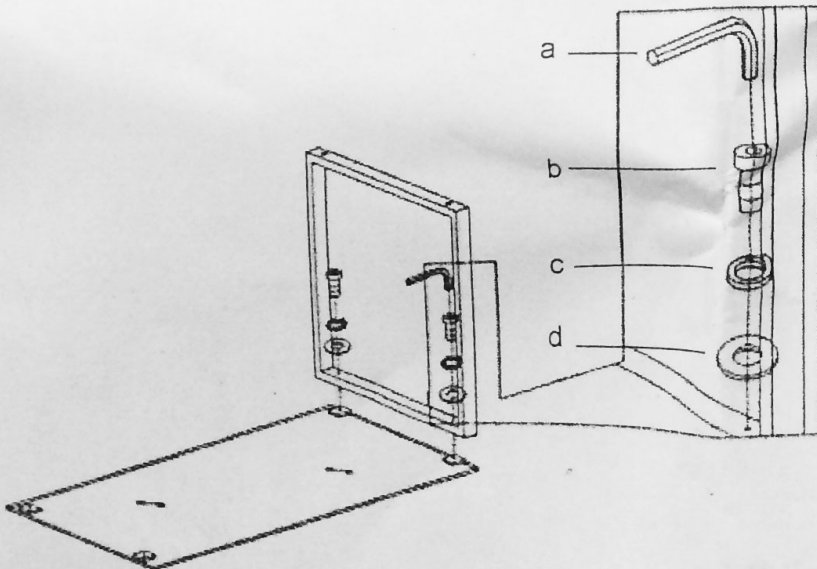
6931-CPD-SML



6931-CPD-CNR - Not suggested to use solely.



**INSTRUCTION TO ASSEMBLE SINGLE TABLE:**



**PART LIST**

NO	DESC	SIZE (MM)	SKETCH	QTY
A	GLASS TOP	1300*700*10		1 PC
	GLASS TOP	1000*700*10		1 PC
	GLASS TOP	1000*1000*10		1 PC
B	METAL LEG	700*728*50		2PCS

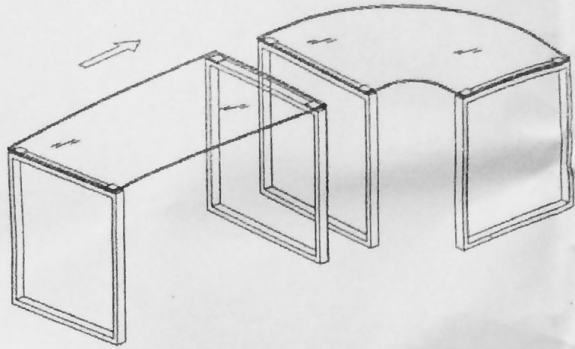
**HARDWARE LIST**

NO	DESC	SIZE (MM)	SKETCH	QTY
a	ALLEN WRENCH	5MM		1PC
b	SCREW	M8*35		4PCS
c	SPRING WASHER	ø 8*2.0MM		4PCS
d	FLAT WASHER	ø 8*1.5MM		4PCS
e	PLATE (Optional)	95*40*3MM		2PCS

MADE IN CHINA

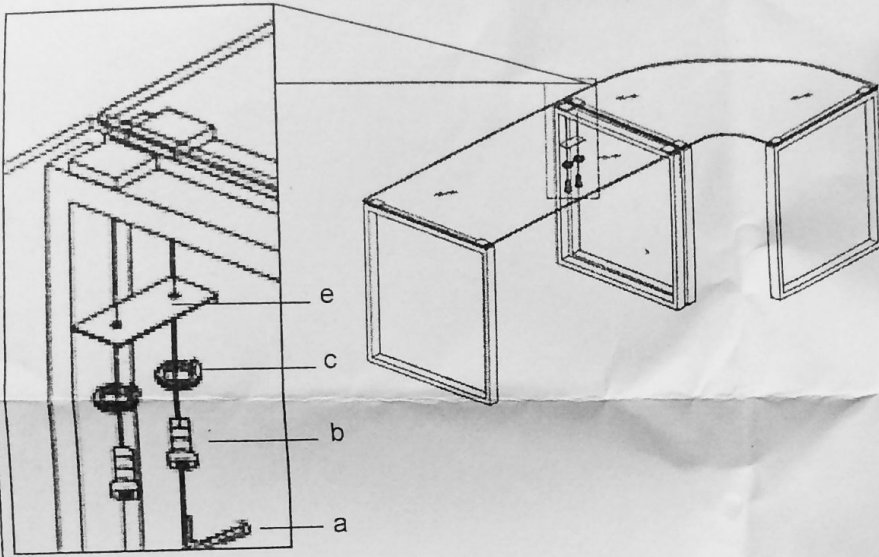
# INSTRUCTION TO ASSEMBLE MULTIPLE TABLES:

STEP 1:



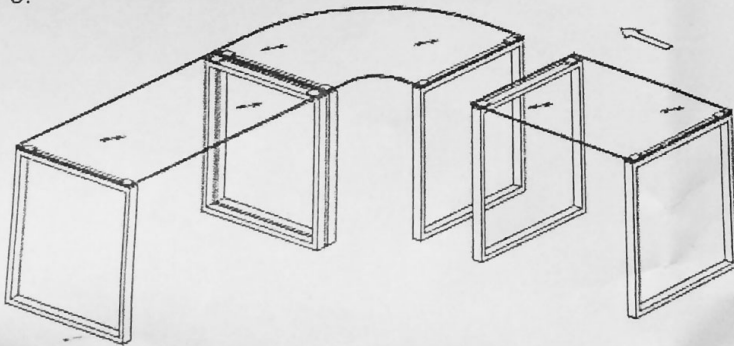
Put one rectangle desk and the corner desk side by side and unfasten the original screws(b).

STEP 2:



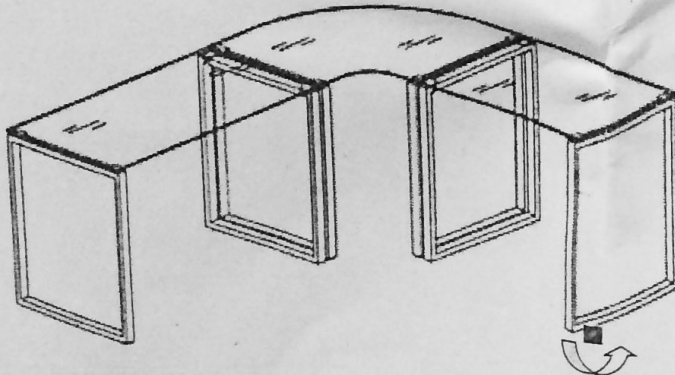
Replace the original flat washer(d) by plate(e), and fasten the screws(b), spring washers(c), plate(e) to the leg(B) to table top(A).

STEP 3:



Repeat the same steps on other table(s).

FINISHED



Adjust the glides to level the tables.