

Assembly Instructions DRACO Side Chair



A (1 pc)



B (1 pc)



C (1 pc)



D (2 pcs)
M6-1 x 20mm



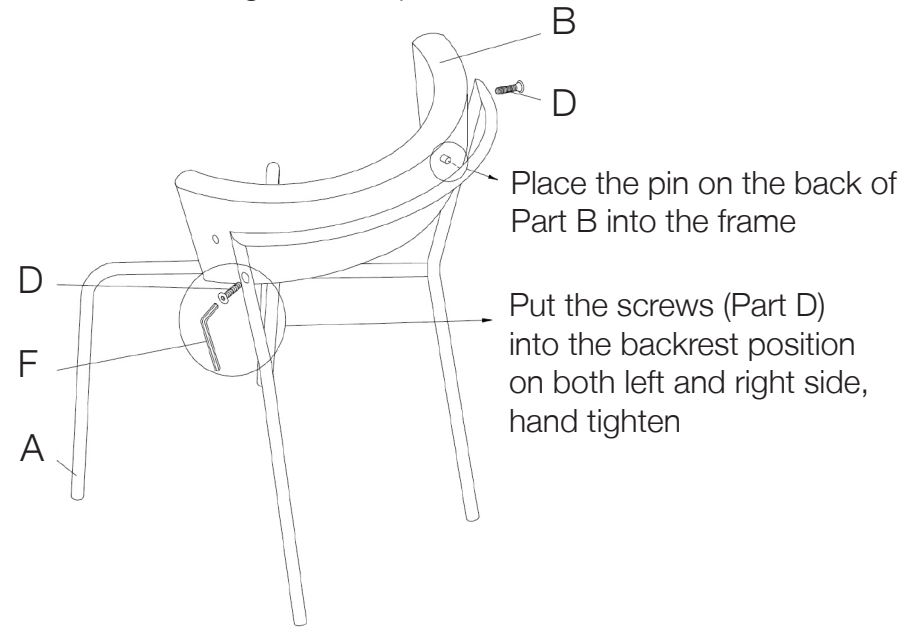
E (4 pcs)
M6-1 x 30mm



F (1 pc)
5mm

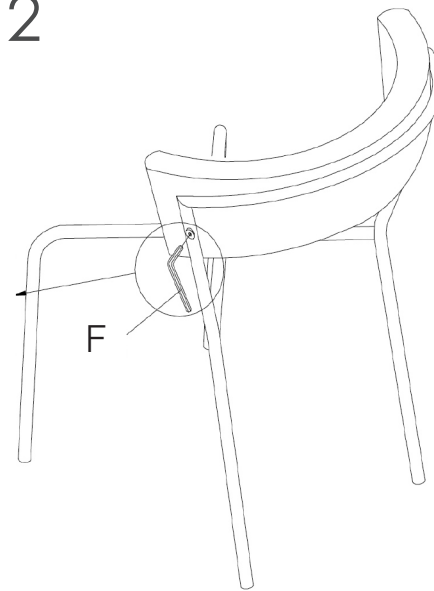
PLEASE NOTE: Check that you have received all components and hardware before assembling. If you are missing any parts, contact your retailer, or fax Eurø Style at 415.455.8033 or email: cs@gotoeurostyle.com.

1

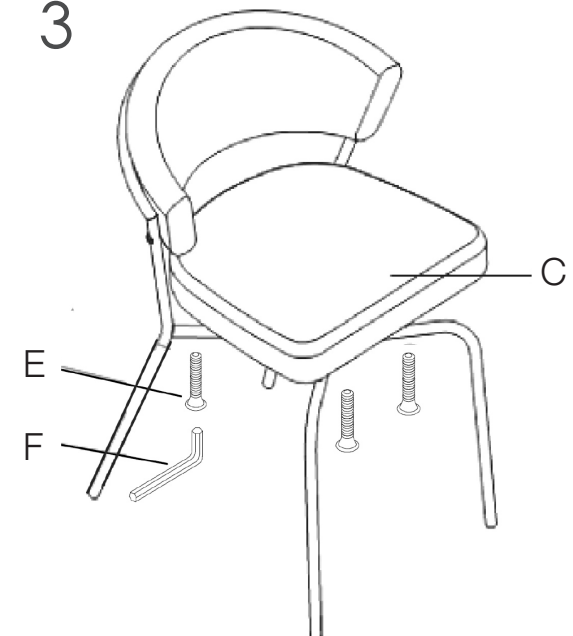


2

Tighten the screws (Part D) one at a time



3



During assembly, hand tighten screws only. When the screws are in place, tighten completely.