

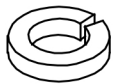
A (1 pc)



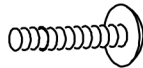
B (1 pc)



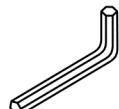
C (4 pcs)



D (4 pcs)

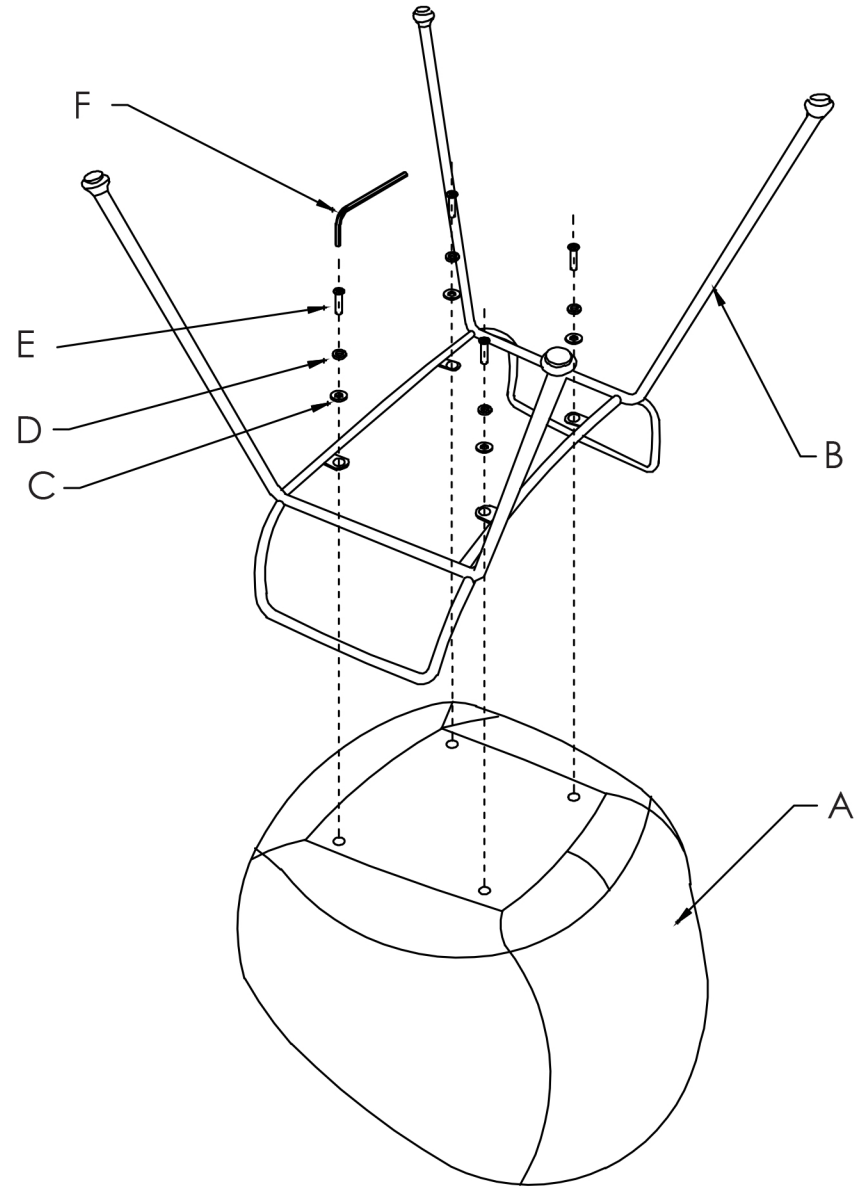


E (4 pcs)
M6 x 25mm



F (1 pc)

1



During assembly, hand tighten screws only. When the screws are in place, tighten completely.