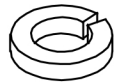


A (1 pc)



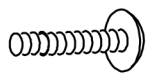
B (1 pc)



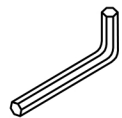
C (4 pcs)



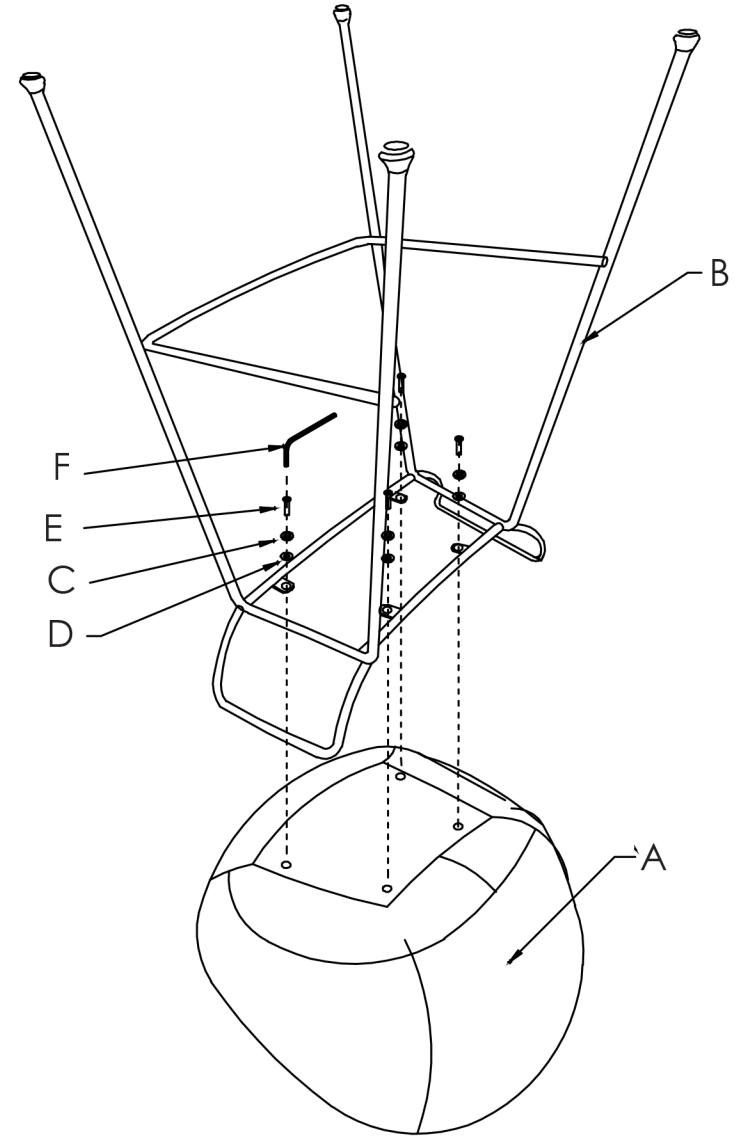
D (4 pcs)



E (4 pcs)
M6 x 20mm



F (1 pc)



During assembly, hand tighten screws only. When the screws are in place, tighten completely.